

**PRODUCT TECHNICAL SHEET**

Collection : **CONTEMPORARY**

Ref. : **6231.11.07**

Porte-serviette

Handdoekdrager

Towel holder

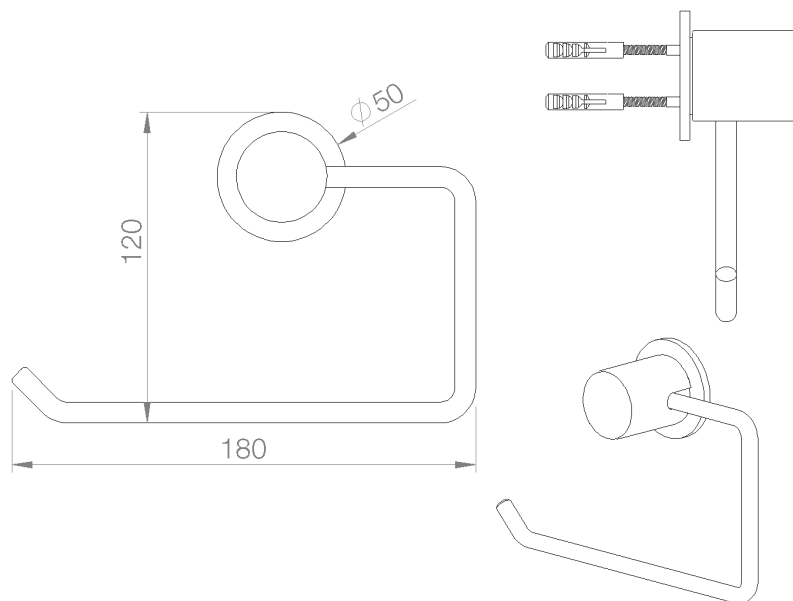
**Picture**

**Product details**

Weight : 0,6 kg



**Technical drawing**



RAO.V01